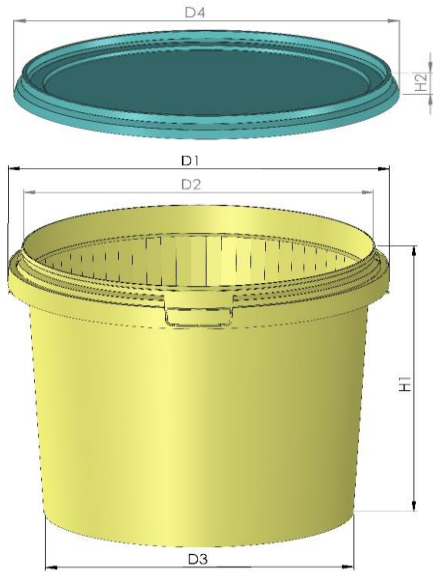


TP 1675-1676 9 LT (5) Dimensions



| | |
|---------|-----------------|
| Shape : | Round Conical |
| D-1 | 275,5 mm +/- %1 |
| D-2 | 263,1 mm +/- %1 |
| D-3 | 235,3 mm +/- %1 |
| D-4 | 273,1 mm +/- %1 |
| H-1 | 235 mm +/- %1 |
| H-2 | 10,5 mm +/- %1 |

Volume

| | |
|------------------|----------|
| Brimful Volume : | 10060 cc |
| Iso Volume : | 9380 cc |

Weight

| | | | |
|------------------------|---------------------|------------------------|---------------------|
| Weight container / pot | 239,2 gr. +/- 5 gr. | Weight standard handle | 9,5 gr. +/- 0,5 gr. |
| Weight standard lid | 62 gr. +/- 3 gr. | | |

Performance

| | |
|------------------|--|
| Hot filling | 85-95 ° C |
| Hot temperatures | The material chosen has a very good heat resistance and the pails are suitable for hot filling. Notably, plastic pails become flexible when subjected to hot filling temperatures and care must be taken in relation to stacking immediately after hot filling. The TP 1675-1676 must be tested by the customer with the actual product before approval for use at hot temperatures. |

Handle

| | | | |
|------------------|---------|-------------|------------------|
| Available handle | TP 1641 | Handle type | Flexible Plastic |
|------------------|---------|-------------|------------------|

Closure System

| | |
|----------------------|---------------------|
| Lid type options | Standard Lid |
| Closure type | Snap-On |
| Protective collar | Yes |
| Tamper Evidence Type | Tamper Evidence tap |





Decoration

| | | | |
|------------------------|--|---------------------------|-----------------|
| Decoration Available : | <input checked="" type="checkbox"/> Offset | Decoration area offset | 180 mm x 760 mm |
| | <input checked="" type="checkbox"/> IML | Decoration area IML(Pail) | 185 mm x 760 mm |
| | | Decoration area IML(Lid) | - |

Packaging (Per both lid and pail)

| | |
|-----------------------------|-------------|
| | 1100 X 1200 |
| On pallet | 896 pcs. |
| Pallet Height | 250 cm. |
| Amount of pallets per 40"HC | 20 pallet |
| Amount of pcs per 40" HC | 17.920 pcs. |
| Amount of pallets per truck | 24 pallet |
| Amount of pcs per truck | 21.504 pcs. |

Raw Material Quality Specifications

PP   ISO 9001 - 2008
ISO 22000 - 2005

