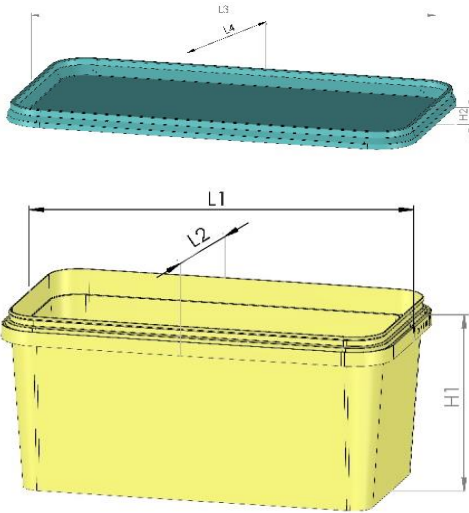


TP 1759 - 1734

750 ML (3) BP

Dimensions



Shape :	Rectengular
L-1	177,6 mm +/- %1
L-2	97,9 mm +/- %1
L-3	175,5 mm +/- %1
L-4	95,5 mm +/- %1
H-1	85,7 mm +/- %1
H-2	8,1 mm +/- %1

Volume

Brimful Volume :	940 cc
Iso Volume :	840 cc

Weight

Weight container / pot	34 gr. +/- 1 gr.
Weight standard lid	12,3 gr. +/- 0,5 gr.

Performance

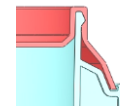
Hot filling	85-95 ° C
Hot temperatures	The material chosen has a very good heat resistance and the pails are suitable for hot filling. Notably, plastic pails become flexible when subjected to hot filling temperatures and care must be taken in relation to stacking immediately after hot filling. The TP 1759 - 1734 must be tested by the customer with the actual product before approval for use at hot temperatures.

Handle

Available handle	-	Handle type	Flexible Plastic
------------------	---	-------------	------------------

Closure System

Lid type options	Standard Lid
Closure type	Snap-On
Protective collar	Yes
Tamper Evidence Type	Tamper Evidence tap



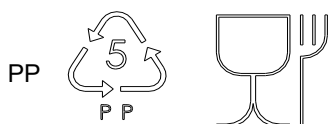
Decoration

Decoration Available :	<input type="checkbox"/> Offset	Decoration area offset	-
	<input checked="" type="checkbox"/> IML	Decoration area IML(Pail)	73 mm x 488.5 mm
		Decoration area IML(Lid)	55 mm x 85 mm

Packaging (Per both bucket and lid)

	1000 X 1200
On pallet	3.000 pcs.
Pallet Height	250 cm.
Amount of pallets per 40"HC	21 pallet
Amount of pcs per 40" HC	63.000 pcs.
Amount of pallets per truck	26 pallet
Amount of pcs per truck	78.000 pcs.

Raw Material



ISO 9001 - 2015
ISO 22000 - 2005

