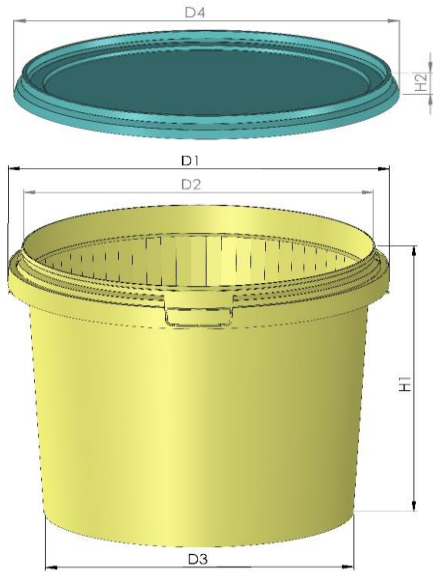


TP 1671-1672 5 LT (4) Dimensions



Shape :	Round Conical
D-1	228,5 mm +/- %1
D-2	209 mm +/- %1
D-3	186,5 mm +/- %1
D-4	222,5 mm +/- %1
H-1	184 mm +/- %1
H-2	14,5 mm +/- %1

Volume

Brimful Volume :	5377 cc
Iso Volume :	4660 cc

Weight

Weight container / pot	121 gr. +/- 5 gr.	Weight standard handle	6,5 gr. +/- 0,5 gr.
Weight standard lid	40,2 gr. +/- 3 gr.		

Performance

Hot filling	85-95 ° C
Hot temperatures	The material chosen has a very good heat resistance and the pails are suitable for hot filling. Notably, plastic pails become flexible when subjected to hot filling temperatures and care must be taken in relation to stacking immediately after hot filling. The TP 1671-1672 must be tested by the customer with the actual product before approval for use at hot temperatures.

Handle

Available handle	TP 1560	Handle type	Flexible Plastic
------------------	---------	-------------	------------------

Closure System

Lid type options	Standard Lid
Closure type	Snap-On
Protective collar	Yes
Tamper Evidence Type	Tamper Evidence tap





Decoration

Decoration Available :	<input type="checkbox"/> Offset	Decoration area offset	130 mm x 637 mm
	<input checked="" type="checkbox"/> IML	Decoration area IML(Pail)	-
		Decoration area IML(Lid)	118 mm, 132 mm, 142 mm, 155 mm, 164 mm.

Packaging (Per both lid and pail)

	1000 X 1200
On pallet	1.200 pcs.
Pallet Height	250 cm.
Amount of pallets per 40"HC	21 pallet
Amount of pcs per 40" HC	25.200 pcs.
Amount of pallets per truck	26 pallet
Amount of pcs per truck	31.200 pcs.

Raw Material Quality Specifications

PP   ISO 9001 - 2008
ISO 22000 - 2005

