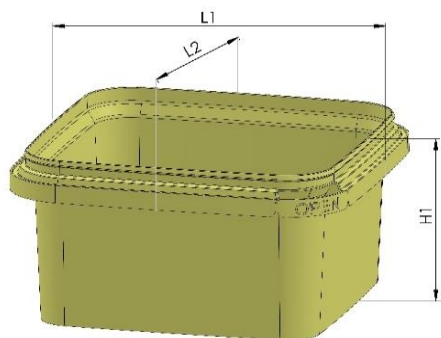
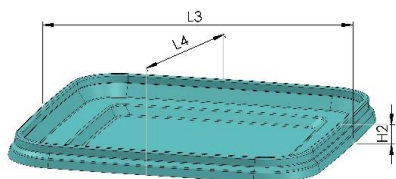


TP 1705 - 1658 250 ML (6) BP Dimensions



Shape :	Square
L-1	100 mm +/- %1
L-2	100 mm +/- %1
L-3	97,5 mm +/- %1
L-4	97,5 mm +/- %1
H-1	53,1 mm +/- %1
H-2	10,6 mm +/- %1

Volume

Brimful Volume :	358 cc
Iso Volume :	309 cc

Weight

Weight container / pot	13,4 gr. +/- 1 gr.
Weight standard lid	6,7 gr. +/- 0,5 gr.

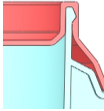
Performance

Hot filling	85-95 ° C
Hot temperatures	The material chosen has a very good heat resistance and the pails are suitable for hot filling. Notably, plastic pails become flexible when subjected to hot filling temperatures and care must be taken in relation to stacking immediately after hot filling. The TP 1705 - 1658 must be tested by the customer with the actual product before approval for use at hot temperatures.

Handle

Available handle	-	Handle type	-
------------------	---	-------------	---

Closure System

Lid type options	Standard Lid	
Closure type	Snap-On	
Protective collar	Yes	
Tamper Evidence Type	Tamper Evidence tap	


Decoration

Decoration Available :	<input type="checkbox"/> Offset	Decoration area offset	-
	<input checked="" type="checkbox"/> IML	Decoration area IML(Pail)	42 mm x 310 mm
		Decoration area IML(Lid)	48 mm x 48 mm

Packaging (Per both bucket and lid)

	1000 X 1200
On pallet	6.750 pcs.
Pallet Height	250 cm.
Amount of pallets per 40"HC	21 pallet
Amount of pcs per 40" HC	141.750 pcs.
Amount of pallets per truck	26 pallet
Amount of pcs per truck	175.500 pcs.

Raw Material Quality Specifications

PP   ISO 9001 - 2008
ISO 22000 - 2005

