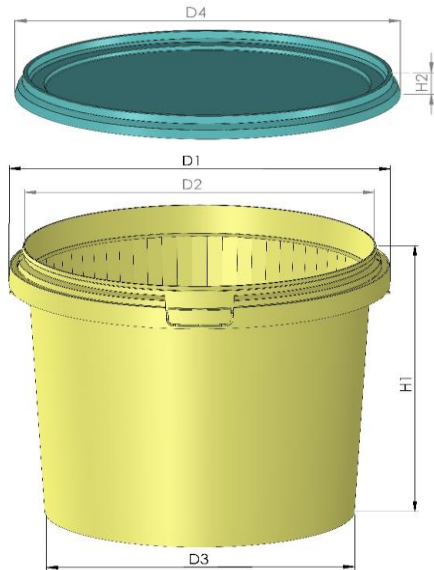


TP 1639-1640 10 LT (3) Dimensions



Shape :	Round Conical
D-1	275,5 mm +/- %1
D-2	263,1 mm +/- %1
D-3	235,3 mm +/- %1
D-4	273,1 mm +/- %1
H-1	235 mm +/- %1
H-2	10,5 mm +/- %1

Volume

Brimful Volume :	10932 cc
Iso Volume :	10300 cc

Weight

Weight container / pot	252,2 gr. +/- 5 gr.	Weight standard handle	9,5 gr. +/- 0,5 gr.
Weight standard lid	65,8 gr. +/- 3 gr.		

Performance

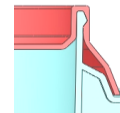
Hot filling	85-95 ° C
Hot temperatures	The material chosen has a very good heat resistance and the pails are suitable for hot filling. Notably, plastic pails become flexible when subjected to hot filling temperatures and care must be taken in relation to stacking immediately after hot filling. The TP 1639-1640 must be tested by the customer with the actual product before approval for use at hot temperatures.

Handle

Available handle	TP 1641	Handle type	Flexible Plastic
------------------	---------	-------------	------------------

Closure System

Lid type options	Standard Lid
Closure type	Snap-On
Protective collar	Yes
Tamper Evidence Type	Tamper Evidence tap





Decoration

Decoration Available :	<input checked="" type="checkbox"/> Offset	Decoration area offset	180 mm x 760 mm
	<input checked="" type="checkbox"/> IML	Decoration area IML(Pail)	190 mm x 750 mm
		Decoration area IML(Lid)	-

Packaging (Per both lid and pail)

	1100 X 1200
On pallet	960 pcs.
Pallet Height	250 cm.
Amount of pallets per 40"HC	20 pallet
Amount of pcs per 40" HC	19.200 pcs.
Amount of pallets per truck	24 pallet
Amount of pcs per truck	23.040 pcs.

Raw Material Quality Specifications

PP   ISO 9001 - 2008
ISO 22000 - 2005

