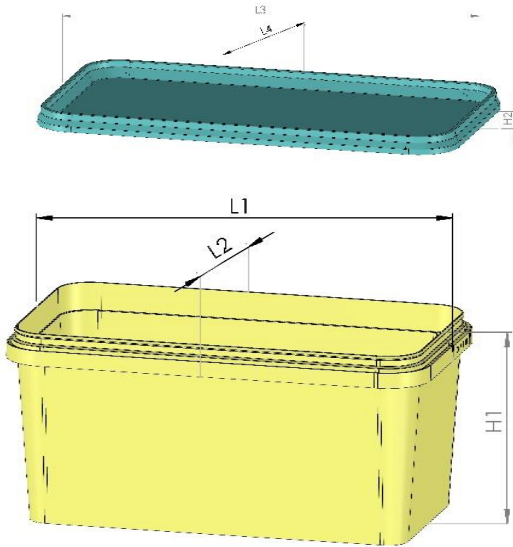


TP 1633 - 1634 1000 ML (1) BP Dimensions



Shape :	Rectengular
L-1	184,4 mm +/- %1
L-2	102,4mm +/- %1
L-3	182,3 mm +/- %1
L-4	103,3 mm +/- %1
H-1	90 mm +/- %1
H-2	8 mm +/- %1

Volume

Brimful Volume :	1303 cc
Iso Volume :	1094 cc

Weight

Weight container / pot	38,3 gr. +/- 1 gr.
Weight standard lid	14,2 gr. +/- 0,5 gr.

Performance

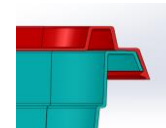
Hot filling	85-95 ° C
Hot temperatures	The material chosen has a very good heat resistance and the pails are suitable for hot filling. Notably, plastic pails become flexible when subjected to hot filling temperatures and care must be taken in relation to stacking immediately after hot filling. The TP 1633 - 1634 must be tested by the customer with the actual product before approval for use at hot temperatures.

Handle

Available handle	-	Handle type	Flexible Plastic
------------------	---	-------------	------------------

Closure System

Lid type options	Standard Lid
Closure type	Sealing lid
Protective collar	Yes
Tamper Evidence Type	Tamper Evidence tap





Decoration

Decoration Available :	<input type="checkbox"/> Offset	Decoration area offset	-
	<input checked="" type="checkbox"/> IML	Decoration area IML(Pail)	78 mm x 502 mm
		Decoration area IML(Lid)	55 mm x 85 mm

Packaging (Per both bucket and lid)

	1000 X 1200
On pallet	5.250 pcs.
Pallet Height	250 cm.
Amount of pallets per 40"HC	21 pallet
Amount of pcs per 40" HC	110.250 pcs.
Amount of pallets per truck	26 pallet
Amount of pcs per truck	136.500 pcs.

Raw Material Quality Specifications

PP   ISO 9001 - 2008
ISO 22000 - 2005

