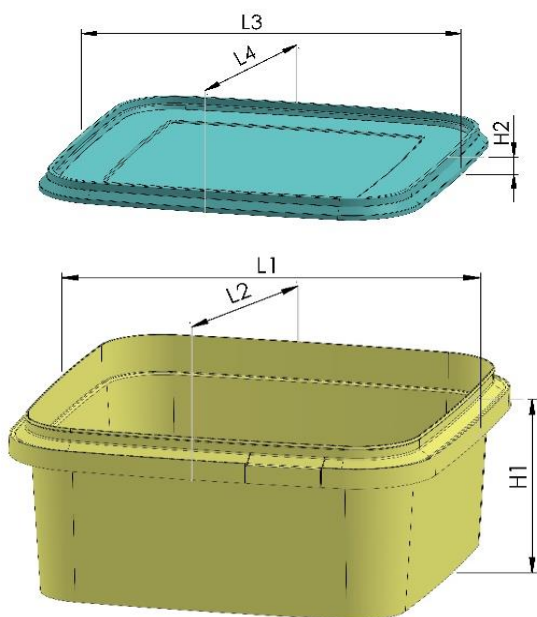


**TP 1702 - 1703      1,5 LT      Dimensions**



Shape :	Square
L-1	177,5 mm +/- %1
L-2	177,5 mm +/- %1
L-3	174 mm +/- %1
L-4	174 mm +/- %1
H-1	78,8 mm +/- %1
H-2	9,5 mm +/- %1

**Volume**

Brimful Volume :	1816 cc
Iso Volume :	1673 cc

**Weight**

Weight container / pot	44,8 gr. +/- 1 gr.
Weight standard lid	21,8 gr. +/- 0,5 gr.

**Performance**

Hot filling	85-95 ° C
Hot temperatures	The material chosen has a very good heat resistance and the pails are suitable for hot filling. Notably, plastic pails become flexible when subjected to hot filling temperatures and care must be taken in relation to stacking immediately after hot filling. The TP 1702 - 1703 must be tested by the customer with the actual product before approval for use at hot temperatures.

**Handle**

Available handle	-	Handle type	-
------------------	---	-------------	---

**Closure System**

Lid type options	Standard Lid	
Closure type	Snap-On	
Protective collar	Yes	
Tamper Evidence Type	Tamper Evidence tap	

**Decoration**

Decoration Available :	<input type="checkbox"/> Offset	Decoration area offset	-
	<input checked="" type="checkbox"/> IML	Decoration area IML(Pail)	60mm x 580 mm
		Decoration area IML(Lid)	65 mm x 65 mm

**Packaging (Per both bucket and lid)**

	1000 X 1200
On pallet	3.060 pcs.
Pallet Height	250 cm.
Amount of pallets per 40"HC	21 pallet
Amount of pcs per 40" HC	64.260 pcs.
Amount of pallets per truck	26 pallet
Amount of pcs per truck	79.560 pcs.

**Raw Material      Quality Specifications**

PP   ISO 9001 - 2008  
ISO 22000 - 2005

