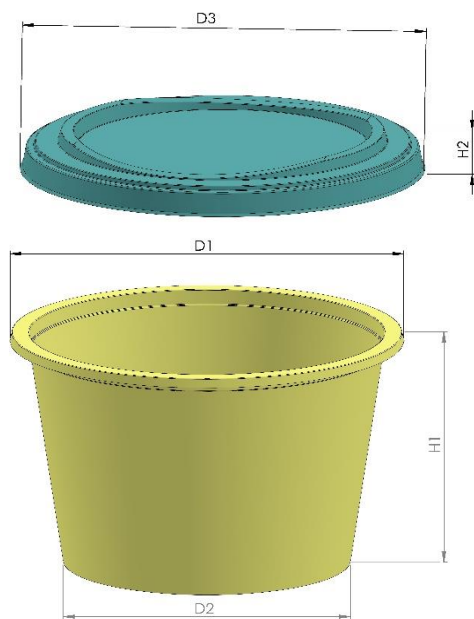


TP 1714 - 1715 0,5 LT (1) Dimensions



Shape :	Rectangular
D-1	118 mm +/- %1
D-2	86,2 mm +/- %1
D-3	122,3 mm +/- %1
H-1	77 mm +/- %1
H-2	12,9 mm +/- %1

Volume

Brimful Volume :	540 cc
Iso Volume :	495 cc

Weight

Weight container / pot	15 gr. +/- 1 gr.
Weight standard lid	8,5 gr. +/- 0,5 gr.

Performance

Hot filling	85-95 ° C
Hot temperatures	The material chosen has a very good heat resistance and the pails are suitable for hot filling. Notably, plastic pails become flexible when subjected to hot filling temperatures and care must be taken in relation to stacking immediately after hot filling. The TP 1714 - 1715 must be tested by the customer with the actual product before approval for use at hot temperatures.

Handle

Available handle	-	Handle type	Flexible Plastic
------------------	---	-------------	------------------

Closure System

Lid type options	Standard Lid
Closure type	Sealing lid
Protective collar	Yes
Tamper Evidence Type	Tamper Evidence tap



Decoration

Decoration Available :	<input type="checkbox"/> Offset	Decoration area offset	72 mm x 300 mm
	<input checked="" type="checkbox"/> IML	Decoration area IML(Pail)	72 mm x 300 mm
		Decoration area IML(Lid)	85mm

Packaging (Per both bucket and lid)

	1000 X 1200
On pallet	10.440 pcs.
Pallet Height	250 cm.
Amount of pallets per 40"HC	21 pallet
Amount of pcs per 40" HC	219.240 pcs.
Amount of pallets per truck	26 pallet
Amount of pcs per truck	271.440 pcs.

Raw Material Quality Specifications

PP   ISO 9001 - 2008
ISO 22000 - 2005

